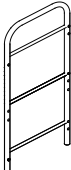
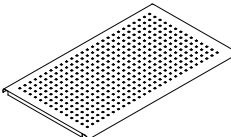
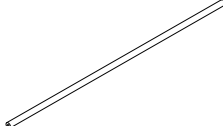
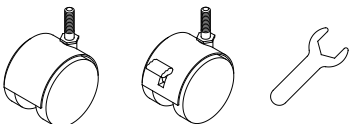
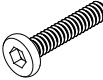
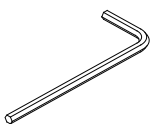


# Installation Instruction

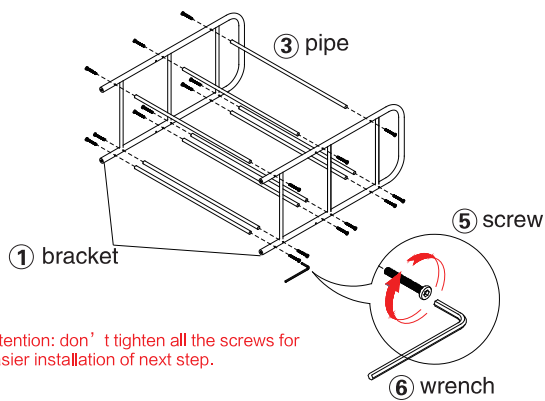
## 3 Tier Multifunction Kitchen Trolley

### Accessories List ● Check all the accessories first before installation

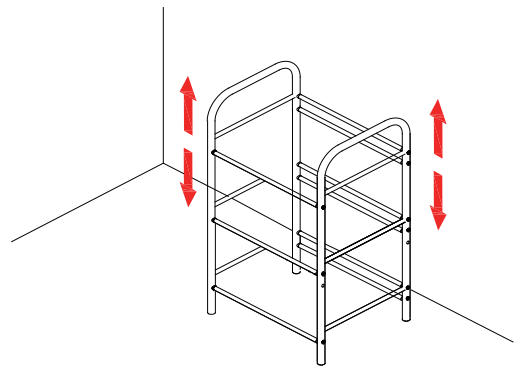
<p>① bracket 2 pcs</p> 	<p>② shelf 3 pcs</p> 	<p>③ pipe 9 pcs</p> 
<p>④ Wheels</p>  <p>no lock 2 pcs      With lock 2 pcs</p>	<p>⑤ screw 19 pcs</p>  <p>Containing 1 spare parts</p>	<p>⑥ wrench 1 pcs</p> 

### Installation process

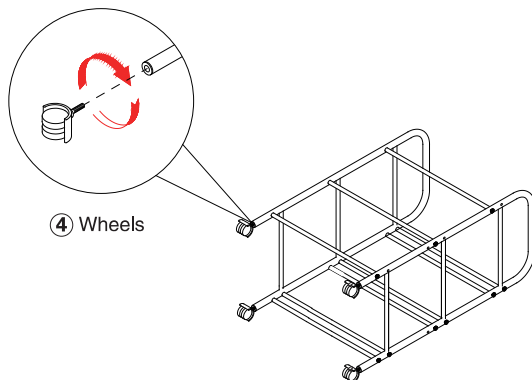
① Install all the pipes together with the brackets



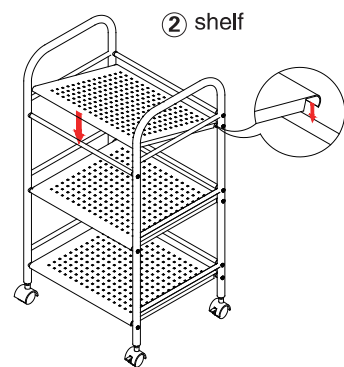
② Stand the rack and keep it balanced, then tighten the screws.



③ Install the wheels in the bottom of the tube.



④ Input the shelf onto the pipes



⑤ Finished.

